



- ✓ Truncated cone structure
- ✓ Boxes for all kind of industries
- ✓ Perfect for manual and automatic storage - handling system
- ✓ Stackable
- ✓ Overlap with 180° rotation
- ✓ Rough outer part for greater grip
- ✓ Smooth interior for quick cleaning
- ✓ Inert to chemicals
- ✓ Open or closed handles

SIZE	WEIGHT	VOLUME	ROW MATERIAL	STANDARD COLOUR	PRODUCT CODE
mm 600 x 400 x 300	Gr 2400	Lt 50	PP-COPO	RAL 6002	U06

DIMENSIONAL TOLERANCE: ± 3 mm

WEIGHT TOLERANCE: ± 5%

RECOMMENDED USE TEMPERATURE: -10°C +60°C



U06 PLASTIC BOX

Designed for manual as well as automatic handling in logistics centres and shipping environments.

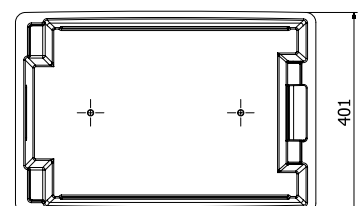
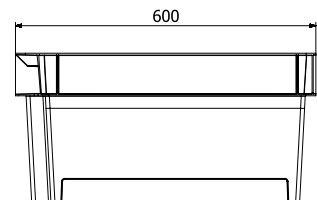
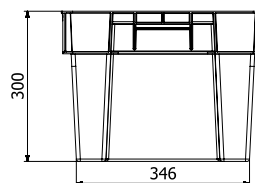
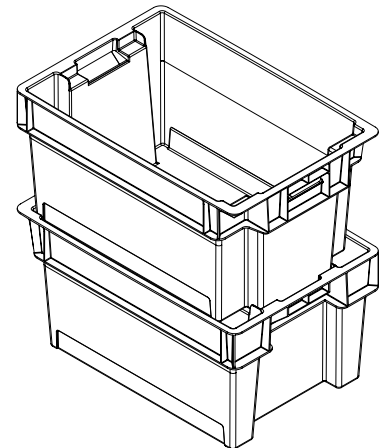
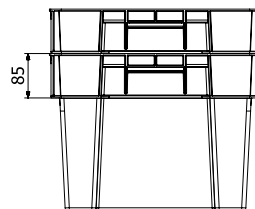
The box is perfectly stackable when empty, resulting in storage savings of up to 75%.

ACCESSORIES:

- **Lid**
- **Bar Code:** PET 50 white PT
- **Foil:** multi-purpose adhesive for attaching and removing labels without soiling the box
- Customisable **Serigraphy printing**
- **Clichè:** Embossed logo (Tone on Tone) on the long sides

COLOUR:

In addition to the standard colour, they can be printed in any colour with a minimum order quantity of 500 pcs.



Boxes per Pallet: 96 pcs.
Stackability recommended for the transport:
m 2,4 = (24 pcs x 4)